

HVLS
WINDEPENDENCE



Sirocco Series



Sirocco is the portable and handy fan that allows several applications in commercial and industrial environments.

Designed to be handled by a single person with low consumption and low noise thanks to the integrated VFD. Moreover it's very easy to install (plug & play). The four pneumatic wheels guarantee maneuverability on any terrain and a flexible use, making it an effective machine for cooling any indoor and outdoor environment.

KEY FEATURES

DIAMETERS

6 feet
Blade Design Selig

MOTOR

IP65 brushless
motor + VFD with
remote control

MANOVRABILITY

Inside or outside with
pneumatic wheels and
ergonomic handles

CUSTOMIZATION

Water Transfer Printing /
Painting on demand

APPLICATIONS

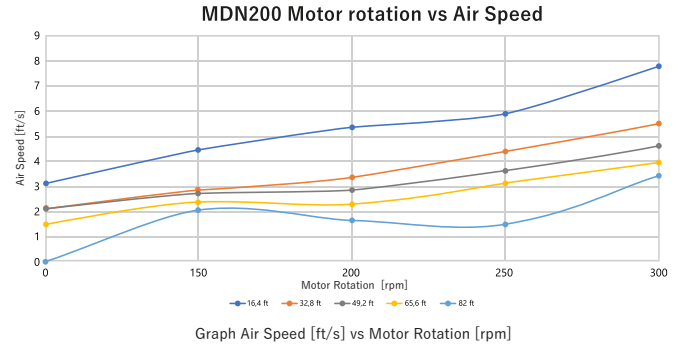
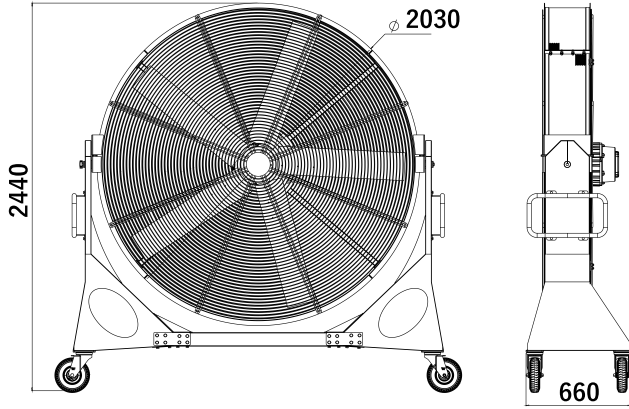
Industrial, Commercial,
Agriculture



1225 North Loop West Suite 450
Houston, Texas 77008 USA
Toll Free Phone: (800) 520-7133

www.fan-tastic.co

Sirocco Series



Model	Diameter (ft)	Weight Installed (lbs)	Max. Speed (rpm)	Consumption Max. (Kw)	Current Max. (A)	Noise Level (dBA)
MDN2000	6	425	300	0,30	0,91	< 60

Power Supply for all models 200-480V Three-phase 50/60 Hz

Control Units

<p>For Industrial Applications</p>	<p>For Zootechnics Applications</p>	<p>Advanced control Unit Touch Screen for every kind of sector/application</p>
------------------------------------	-------------------------------------	--